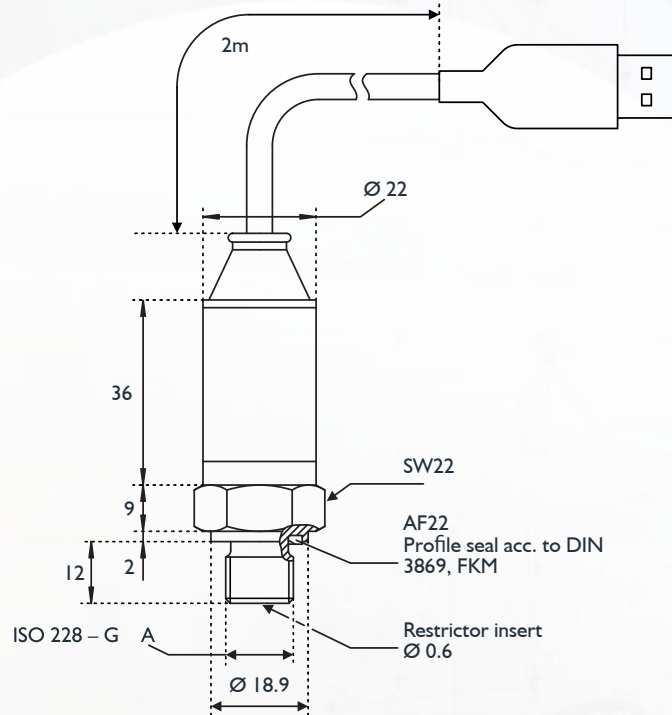




WATCHLOG USB

USB PRESSURE & TEMPERATURE SENSORS

DRAWING



ORDER CODES

Watchlog USB pressure & temperature sensor

WLUSB-XXXX

Replace **XXXX** with below code for the required pressure range *

- 0025** = 0...25 bar
- 0160** = 0...160 bar
- 0400** = 0...400 bar
- 0700** = 0...700 bar

* Other pressure ranges available on request

Watchlog USB sensor accessories

WLUSB-HUB4

4-way USB connection hub



WLUSB-TAB10

Windows 10 smart tablet, 10" touchscreen, 64Gb memory, pre-loaded with Watchlog USB software



WLUSB-TAB10KEY

Detachable keyboard for Windows 10 smart tablet

